



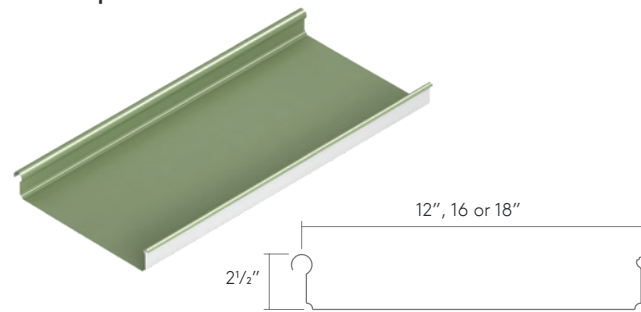
Architectural Metal Roof Systems

A range of profiles offering straight, tapered and mechanically curved solutions, all combined with unrivaled color, texture and material options.



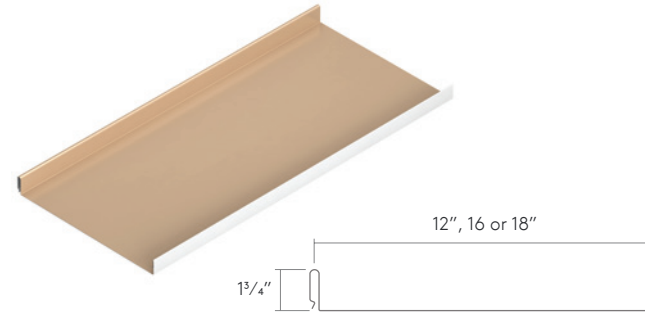
Create more with Morin...

Morzip



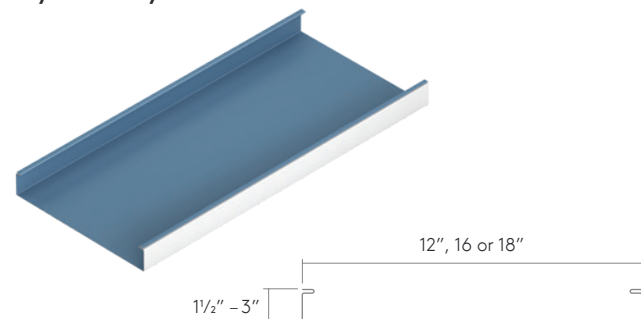
- Mechanically seamed side lap provides unsurpassed weather tightness at slopes as low as 1/2:12.
- Hidden clip fastening eliminates need for through fasteners.
- On-site roll forming of panels in continuous lengths is available to eliminate panel end laps.
- Curving capabilities include convex lay-down, convex mechanical and concave mechanical curves.
- Panels can be curved tapered or a straight tapered.
- ASTM, UL and FM approvals.
- Available in bare aluminum, stainless steel, zinc and copper, as well as painted aluminum and steel (galvalume / zinalume).

SWL



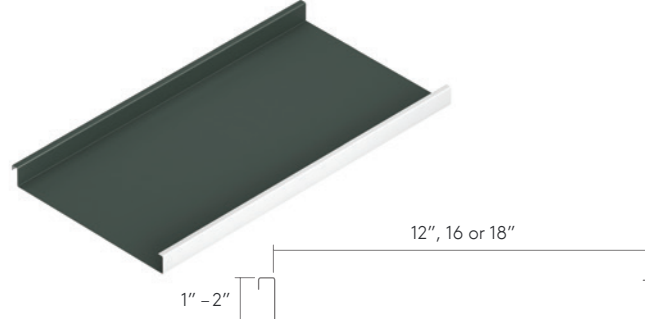
- Snap-lock joinery for seamer-free, easy assembly.
- Concealed clip and fastener design are ideal for new or retrofit projects.
- Optional batten available for a clean finished look.
- Suitable for roofs of 2:12 slope or greater
- On-site roll forming of panels in continuous lengths is available to eliminate panel end laps.
- ASTM and UL approvals.
- Panels can be straight tapered.
- Available in aluminum and galvalume / zinalume painted steel with copper and zinc options dependent on the profile / gauge.
- All PVDF finishes available.

Symmetry



- Watertight seam from eave to ridge for roof slopes down to 1/2:12.
- Significant wind uplift capability.
- On-site roll forming of panels in continuous lengths up to 300' is available to eliminate panel end laps.
- Symmetrical panels install side / side making replacement easier and less expensive.
- Panels are designed to allow for unlimited thermal expansion and contraction.
- ASTM, UL and FM approvals.
- Ideal for roofs with complex geometry.

SLR



- Curving capability down to a minimum radius of 20'
- Suitable for roof slopes down to 1/2:12 slope for 180 degree seam and 3/4:12 slope for 90 degree seam or greater.
- On-site roll forming of panels in continuous lengths up to 200' is available to eliminate panel end laps.
- ASTM, UL and FM approvals.
- Panels can be straight tapered.
- Available in aluminum and galvalume / zinalume painted steel with copper and zinc options dependent on the profile / gauge.
- All PVDF finishes available.

All Morin roofing panel systems are available in a variety of sizes, finishes, ribs and other options. Every system is custom designed to meet your exact project needs.

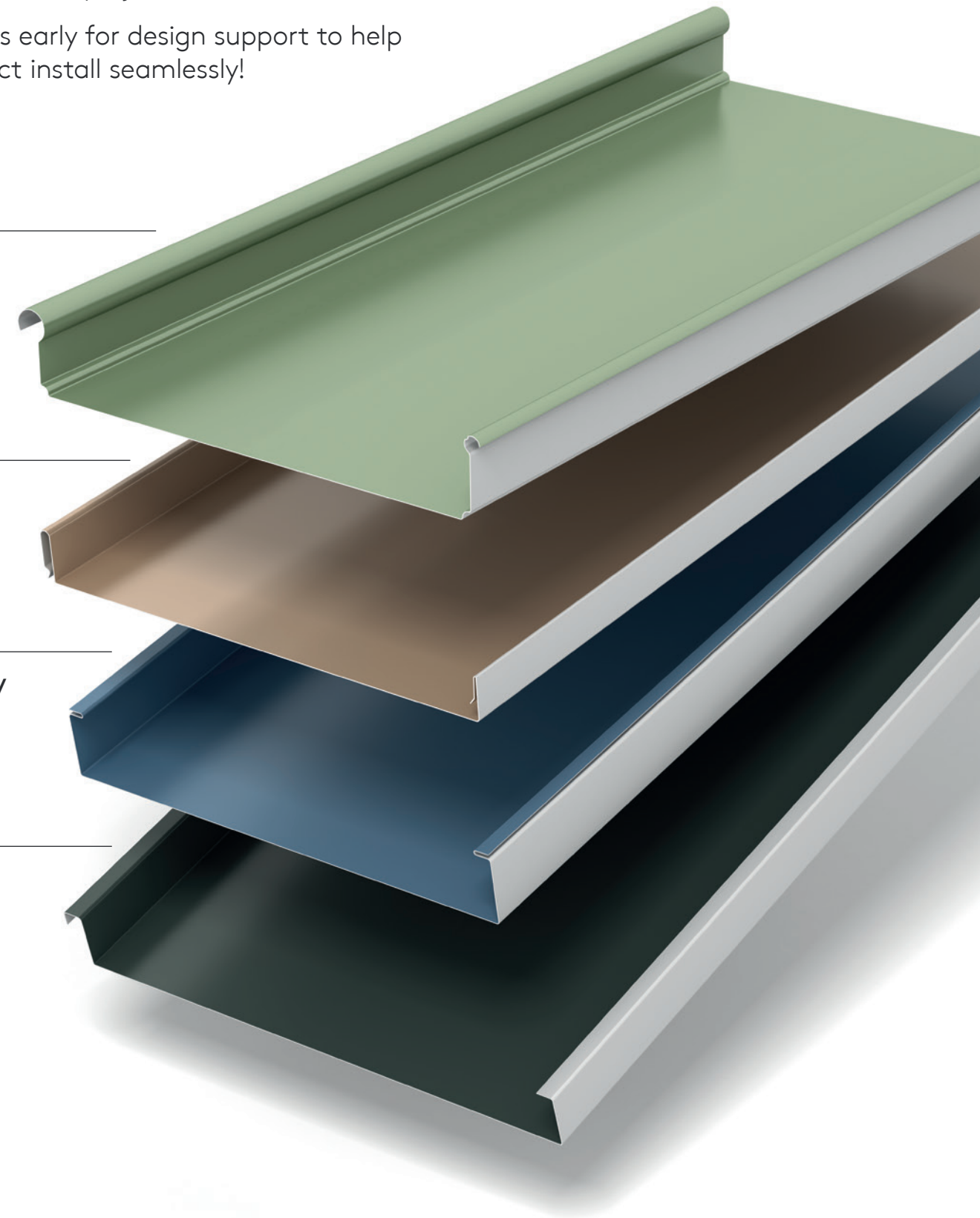
Contact us early for design support to help your project install seamlessly!

Morzip

SWL

Symmetry

SLR



USA

HQ / East

685 Middle Street, Bristol, CT 06010
1-800-640-9501

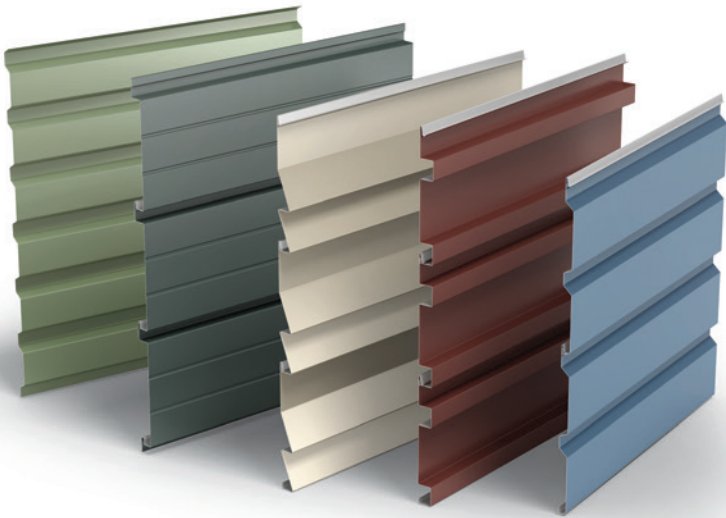
West

10707 Commerce Way, Fontana, CA 92337
1-800-700-6140

South

1975 Eidson Drive, DeLand, FL 32724
1-800-640-9501

www.morincorp.com



Morin offers a complete suite of Wall and Roof Systems, providing unique design solutions for you to create and specify your own custom look.

For the product offering in other markets please contact your local sales representative or visit www.morincorp.com

Care has been taken to ensure that the contents of this publication are accurate, but Morin Corporation does not accept responsibility for errors or for information that is found to be misleading. Suggestions for, or description of, the end use or application of products or methods of working are for information only and Morin Corporation accepts no liability in respect thereof.

01/2019

Morin[®]
A Kingspan Group Company