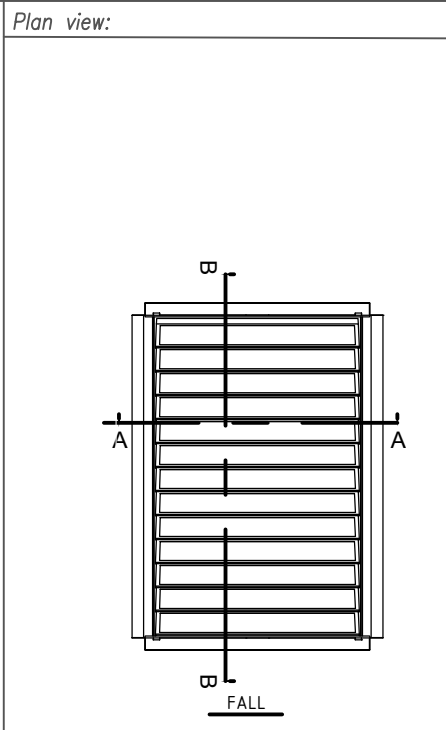
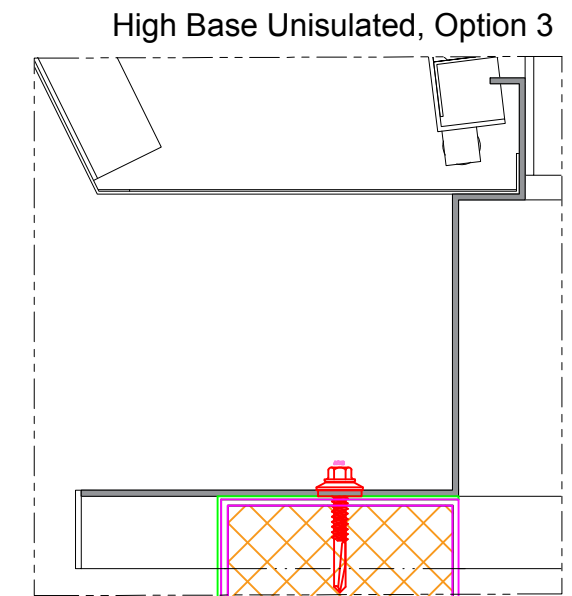
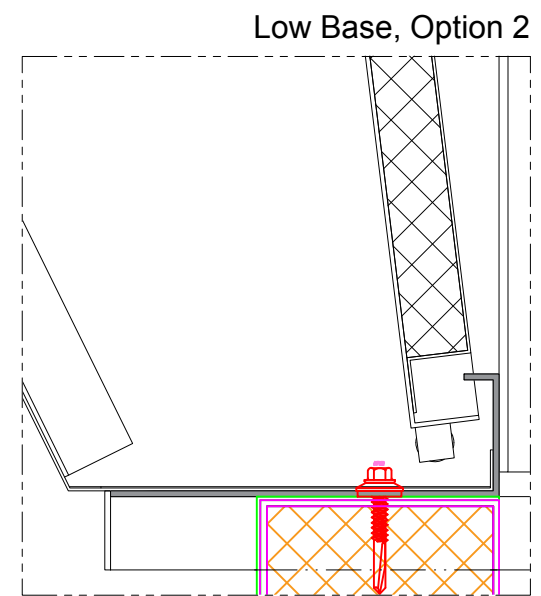
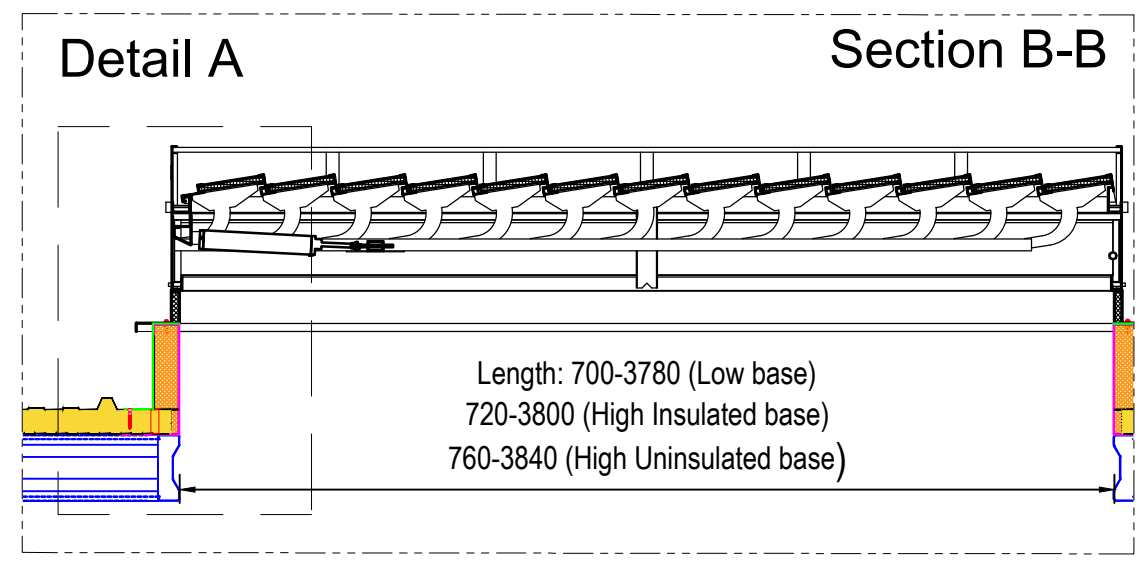
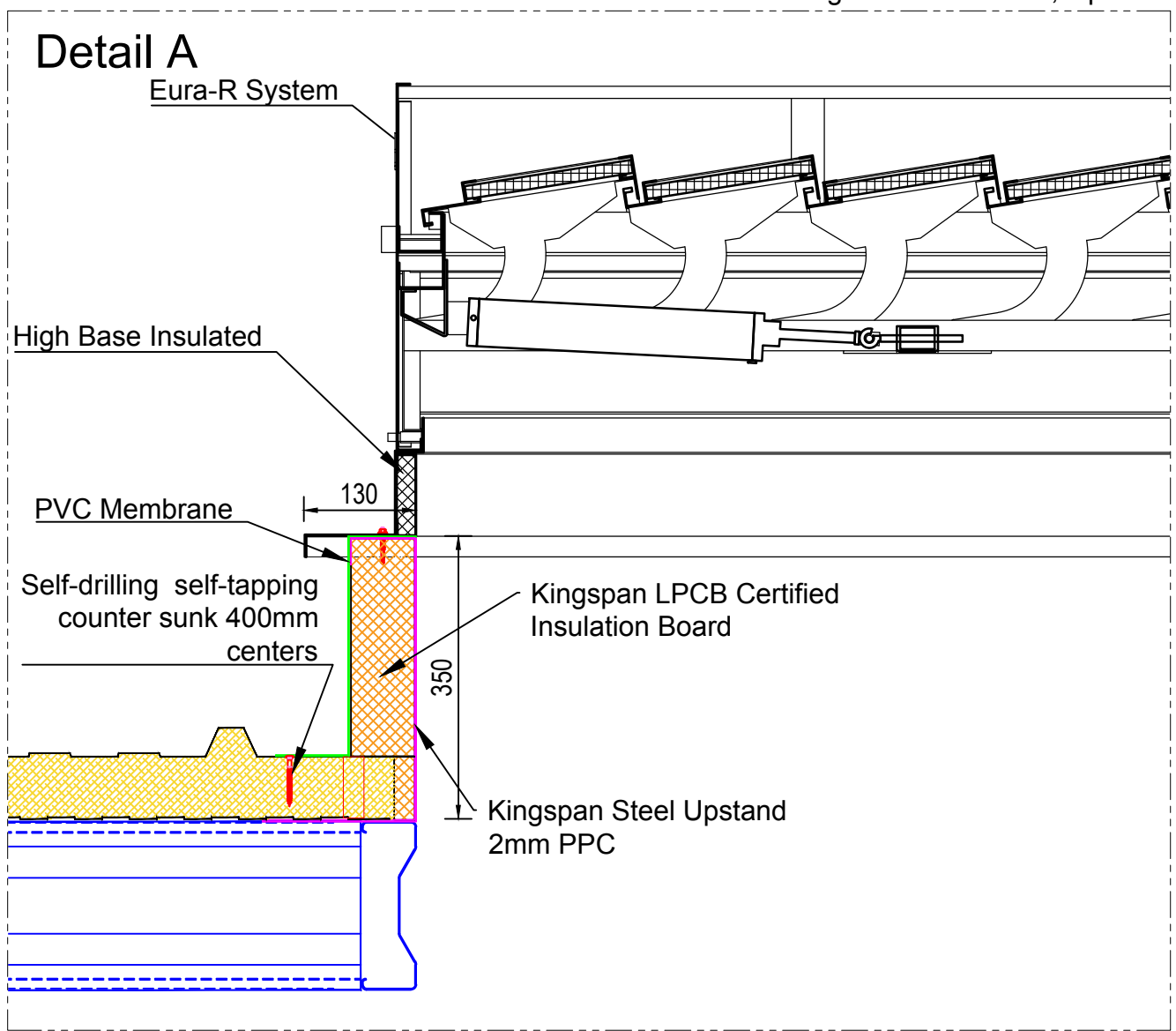


Section A-A



High Base Insulated, Option 1



REV:	DESCRIPTION:	BY:	DATE:
Kingspan Light + Air (UK & Ireland) Limited Unit 7 Mellyn Mair Business Centre, Lamby Industrial Park, Wentloog Avenue Cardiff CF3 2EX United Kingdom T: +44 (0) 2920 776160			
Kingspan Ltd. Unit 2 Greenfield Business Pk, 2 Bagillt Rd, Holywell CH8 7GJ T: 01352 716100			

TITLE: Eura (R) on RW Roof Panel			
SCALE AT A3:	DATE:	DRAWN:	CHECKED:
PROJECT NO:	DRAWING NO:	REVISION:	